

ABN : 86 010 671 048
ACN : 010 671 048
E-Mail : info@terex.com.au
Internet : www.terex.com.au



Terex Lifting Australia Pty. Ltd.



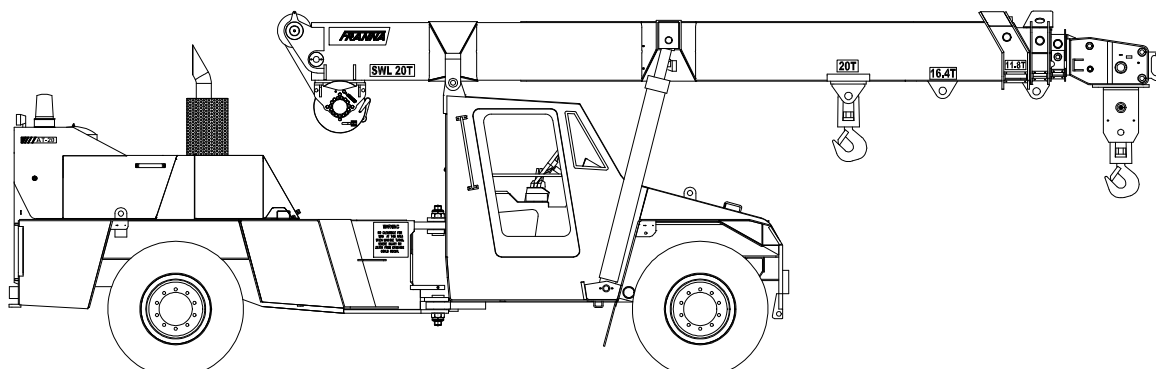
RATED CAPACITY MANUAL

MODEL AT-20

BOOK PART NUMBER 16C1320-

HYDRAULIC ALL TERRAIN PICK & CARRY CRANE

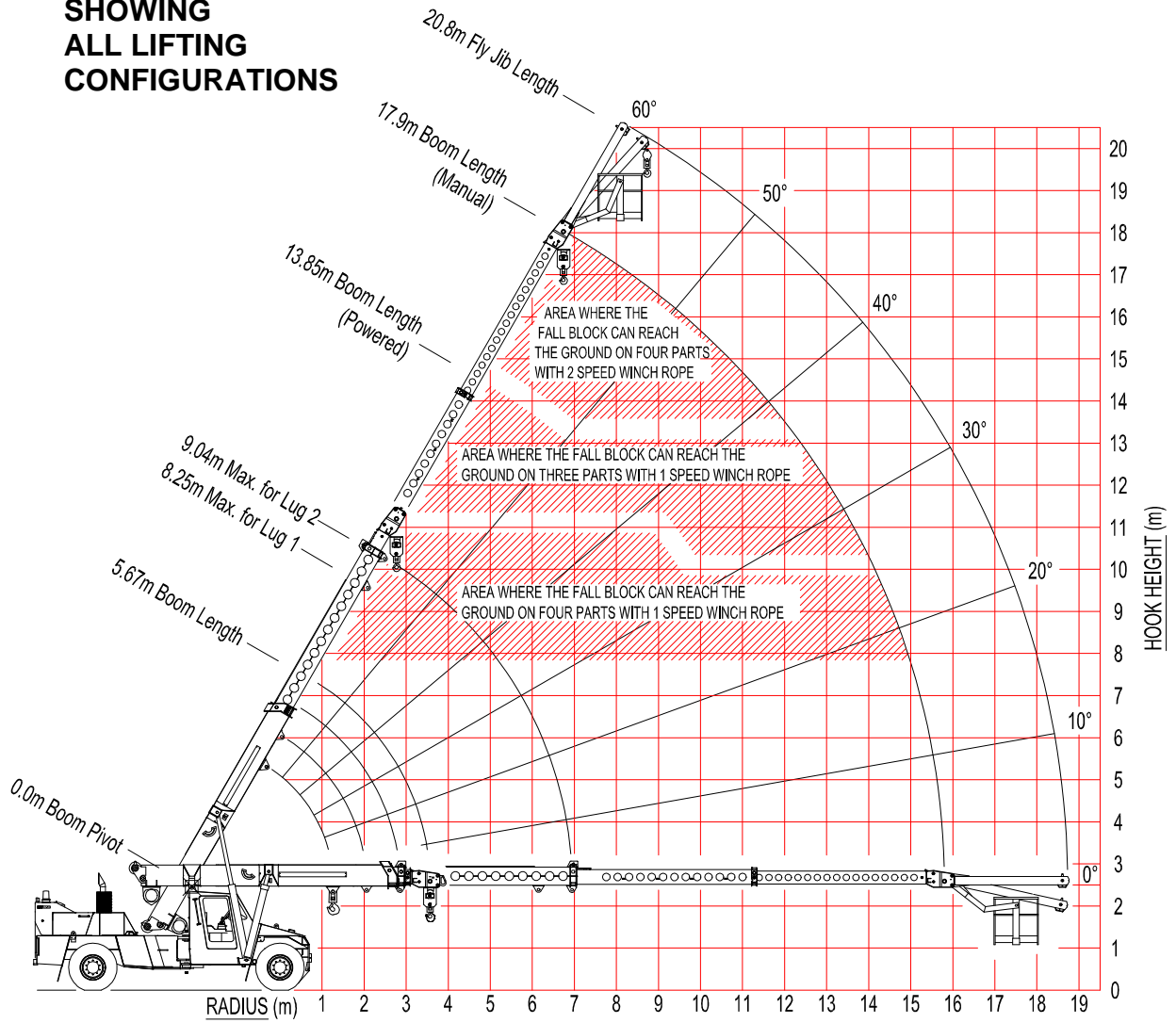
20 TONNE MAXIMUM CAPACITY



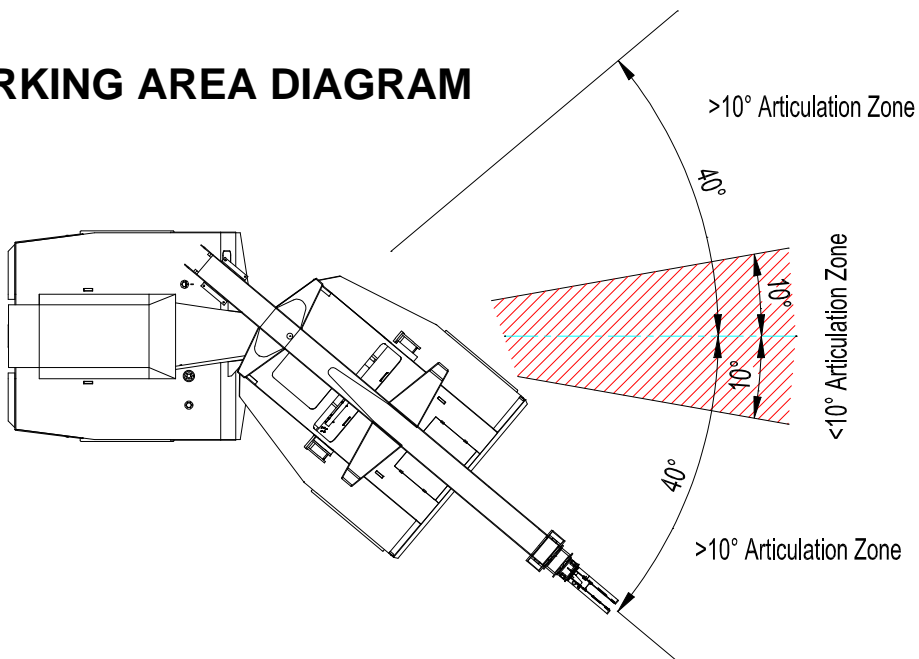
**Do not operate this
crane unless you have
read and understood
the information in this
book.**

RANGE DIAGRAM AT-20

SHOWING ALL LIFTING CONFIGURATIONS



WORKING AREA DIAGRAM



	RC (KG) LESS THAN 10 DEG ARTICULATION
	RC (KG) GREATER THAN 10 DEG ARTICULATION
	BOOM ANGLE OR (RADIUS AT 0 DEG BOOM ANGLE)

Mass of slings & hook block to be added to load
Read and understand warning notes before operating crane
Loads above bold red line are structural

RADIUS	BOOM LENGTH (m)																	
	5.67	6.00	6.50	7.00	7.50	8.00	8.50	9.00	9.50	10.00	10.50	11.00	11.50	12.00	12.50	13.00	13.50	13.85
1.6	16800	16250	15450	14900														
	12600	12600	12600	12600														
2.0	48	51	54	57														
	16800	16800	16500	15700	15100	14700	14350											
2.5	42	46	50	53	56	58	60											
	13900	13900	13900	13850	13850	13850	13850	13200	13000									
3.0	34	39	44	48	51	54	56	58	60									
	11450	11450	11450	11400	11400	11400	11400	11400	11400	11150	10250							
3.5	25	31	37	42	46	49	52	55	57	59	60							
	9650	9650	9650	9650	9650	9650	9650	9650	9650	9650	9500	8150	7500					
4.0	8	20	29	36	41	45	48	51	53	55	57	59	60					
	8400	8400	8400	8400	8400	8400	8400	8400	8350	8350	8350	8150	7500					
4.5	8	20	29	36	41	45	48	51	53	55	57	59	60					
	9450	8550	8350	8350	8350	8350	8350	8350	8300	8300	8300	7600	7000	6450				
5.0	8200	7450	7250	7250	7250	7250	7250	7250	7200	7200	7200	7000	6450					
	(3.57)	(3.90)	19	28	35	39	43	47	49	52	54	56	57	59	60			
5.5			7500	7300	7300	7300	7300	7300	7300	7300	7300	7150	6550	5800	5650			
			6500	6350	6350	6350	6350	6350	6300	6300	6300	6300	6300	6250	6050	5800	5650	
6.0			(4.40)	19	27	34	38	42	45	48	50	52	54	56	58	59	60	
				6650	6500	6500	6500	6500	6500	6500	6500	6500	6150	5900	5650	5450	5300	5150
6.5				(4.90)	18	27	33	37	41	44	47	49	51	53	55	56	58	59
					5950	5350	5250	5250	5250	5250	5250	5250	5250	5250	5250	5050	4850	4600
7.0					(5.40)	17	25	31	35	39	42	45	47	49	51	53	54	
						5100	4600	4550	4550	4550	4500	4500	4500	4500	4500	4500	4500	4500
7.5						(5.90)	17	25	31	35	39	42	45	47	49	51	53	54
							4850	4450	4400	4400	4400	4400	4400	4400	4350	4350	4200	3950
8.0							(6.40)	16	24	29	34	37	40	43	45	47	48	
								4200	3800	3750	3750	3750	3750	3750	3750	3750	3750	3750
8.5								(6.90)	16	24	29	34	37	40	43	45	47	48
									4100	3750	3700	3700	3700	3700	3700	3700	3600	3600
9.0									(7.40)	15	23	28	32	36	38	41	43	
										3500	3200	3150	3150	3150	3150	3150	3150	3150
9.5										(7.90)	15	23	28	32	36	38	41	43
											3500	3250	3200	3200	3200	3200	3200	3200
10.0											(8.40)	15	22	27	31	34	36	
												2950	2750	2700	2700	2700	2700	2700
10.5												(8.90)	15	22	27	31	34	36
													3000	2800	2800	2800	2800	2800
11.0													(9.40)	14	21	26	29	
														2550	2400	2350	2350	2350
11.5															14	21	26	29
															2650	2500	2450	2450
11.75															2200	2100	2050	2050
															(10.40)	(10.90)	13	18
																	1950	1850
																	(11.40)	(11.75)

	RC (KG) LESS THAN 10 DEG ARTICULATION
	RC (KG) GREATER THAN 10 DEG ARTICULATION
	BOOM ANGLE

Mass of slings & hook block to be added to load
Read and understand warning notes before operating crane
Loads above bold red line are structural

MANUAL EXT'D	
MAX LENGTH 17.90	
MAX RADIUS	RC
6.74	2550
	60
9.31	2250
	2250
	50
11.53	2050
	2050
	40
13.34	1900
	1700
	30
14.67	1800
	1500
	20
15.51	1650
	1350
15.80	1600
	1300
	0

NOTE :
 17.9m Boom length includes Manual 3rd extension.
 Ratings for Manual extension are structural & based on Boom Angle, not radius. The ratings do not change if the power sections are retracted with the manual extended.