

ABN : 86 010 671 048
ACN : 010 671 048
E-Mail : info@terex.com.au
Internet : www.terex.com.au



Terex Lifting Australia Pty. Ltd.



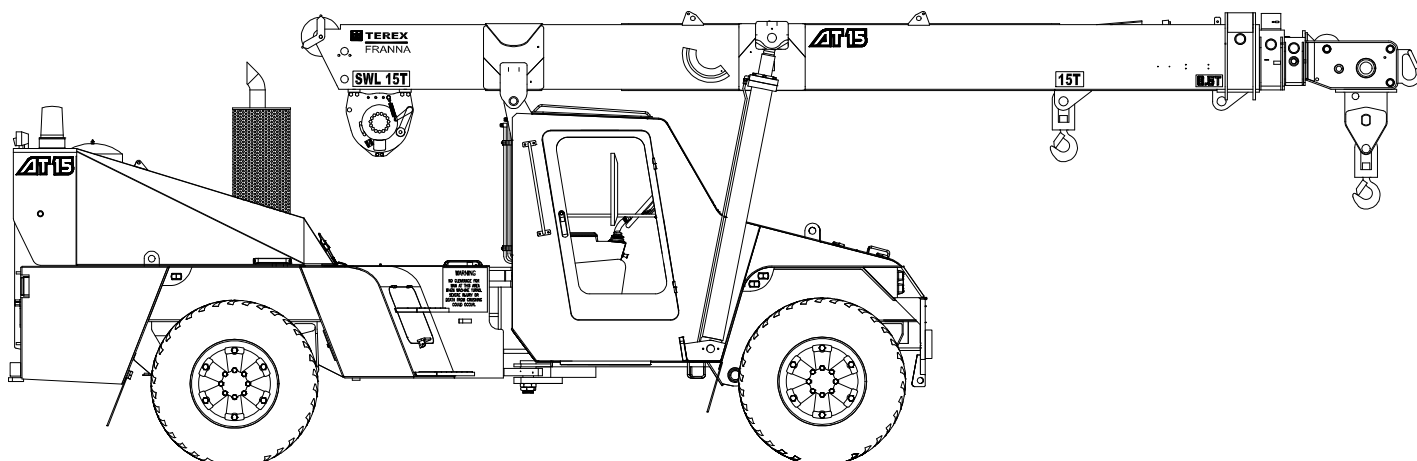
RATED CAPACITY MANUAL

MODEL AT-15 SERIES II

BOOK PART NUMBER C1406-

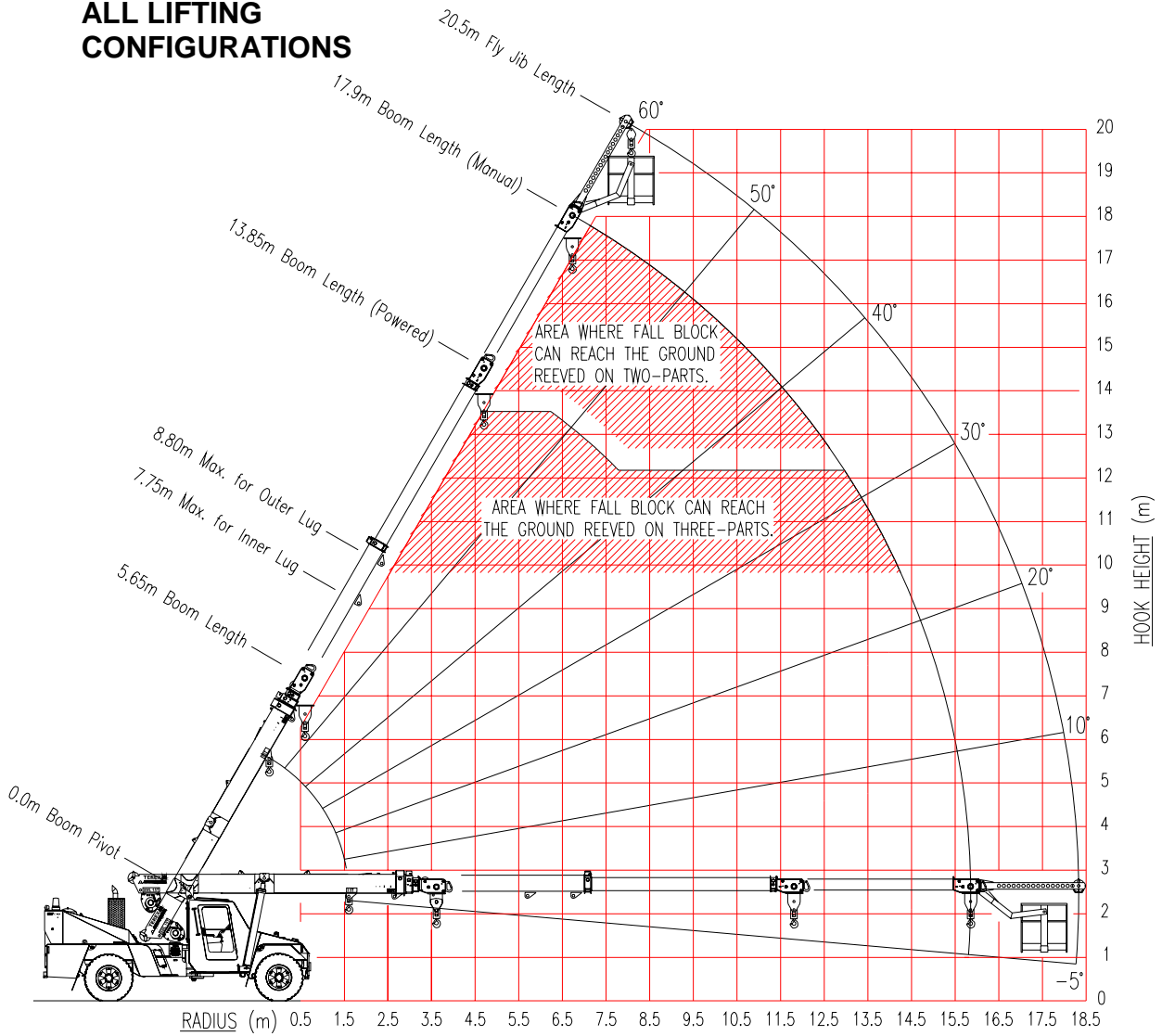
HYDRAULIC ALL TERRAIN PICK & CARRY CRANE

15 TONNE MAXIMUM CAPACITY

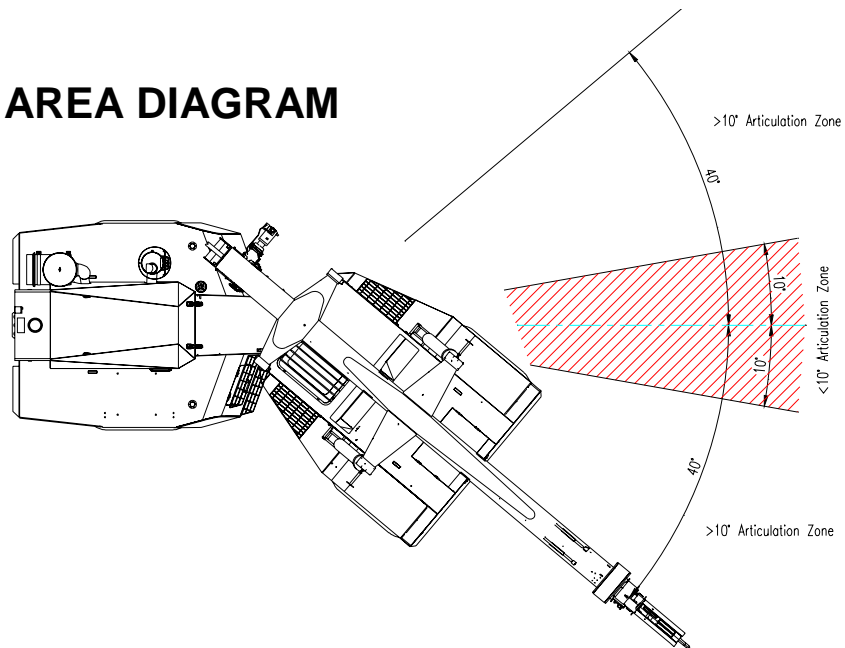


**Do not operate this
crane unless you have
read and understood
the information in this
book.**

RANGE DIAGRAM AT-15 SHOWING ALL LIFTING CONFIGURATIONS



WORKING AREA DIAGRAM



	RC (KG) LESS THAN 10 DEG ARTICULATION
	RC (KG) GREATER THAN 10 DEG ARTICULATION
	BOOM ANGLE

Weight of slings & hook block to be added to load
Read and understand warning notes before operating crane
Loads above bold red line are structural

MANUAL EXT'N	
MAX LENGTH 17.91	
MAX RADIUS	RC
6.72	1850
	60
9.29	1600
	50
11.53	1300
	40
13.35	1150
	30
14.70	1050
	20
15.54	1050
	10
15.86	1050
	0

NOTE :
 17.9m Boom length includes Manual 3rd extension.
 Ratings for Manual extension are structural & based on Boom Angle, not radius. The ratings do not change if the power sections are retracted with the manual extended.